

Handwheels

Cast Iron, with Large Hub

SPECIFICATION

Bore codes

- Version **B**: Without keyway
- Version **K**: With keyway DIN 6885-1 P9

Types

- Type **A**: Without handle
- Type **D**: With revolving handle

Cast iron GG

- Hub machined
- Rim turned and polished
Concentricity and axial runout deviation < 0.4
- Handles DIN 39 (see page 565) / DIN 98 (see page 579)
Steel, zinc plated, blue passivated



INFORMATION

Going beyond the DIN standard, handwheels GN 950.1 are also available with $\varnothing d_1 = 180$ and in types F and D with fixed or revolving handle.

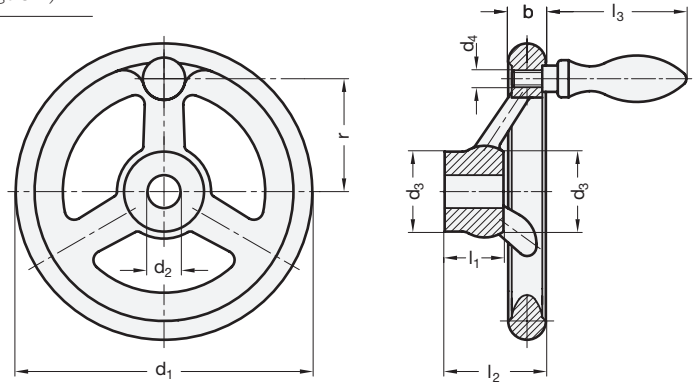
Handwheels GN 950.1 have extended hubs with larger diameters, allowing for larger bores and an increased distance between the wheel rim and the fastening surface.

ACCESSORY

- GN 184 Countersunk Washers (for Axial Fixing) (see page 871)

TECHNICAL INFORMATION

- Keyway P9 DIN 6885-1 (see page A16)
- ISO-Fundamental Tolerances (see page A21)
- Cross Holes GN 110 (see page A17)



GN 950.1-B

Description	d_1	d_2 H7 Bore	b	$d_3 \approx$	d_4	l_1	$l_2 \approx$	$l_3 \approx$	r	Ø Handle	No. of spokes	⚖
GN 950.1-GG-125-B14-A	125	14	16	34	-	26	45	65	-	-	3	750
GN 950.1-GG-125-B14-D	125	14	16	34	M 8	26	45	65	47	20	3	886
GN 950.1-GG-160-B16-A	160	16	18	45	-	32	52	80	-	-	3	1300
GN 950.1-GG-160-B16-D	160	16	18	45	M 10	32	52	80	62	25	3	1487
GN 950.1-GG-200-B20-A	200	20	22	50	-	38	59	80	-	-	3	2320
GN 950.1-GG-200-B20-D	200	20	22	50	M 10	38	59	80	80	25	3	2515
GN 950.1-GG-250-B24-A	250	24	26	56	-	44	66	102	-	-	5	4000
GN 950.1-GG-250-B24-D	250	24	26	56	M 12	44	66	102	101	32	5	4400

GN 950.1-K

Description	d_1	d_2 H7 Bore	b	$d_3 \approx$	d_4	l_1	$l_2 \approx$	$l_3 \approx$	r	Ø Handle	No. of spokes	⚖
GN 950.1-GG-125-K14-A	125	14	16	34	-	26	45	65	-	-	3	806
GN 950.1-GG-125-K14-D	125	14	16	34	M 8	26	45	65	47	20	3	882
GN 950.1-GG-160-K16-A	160	16	18	45	-	32	52	80	-	-	3	1320
GN 950.1-GG-160-K16-D	160	16	18	45	M 10	32	52	80	62	25	3	1500
GN 950.1-GG-200-K20-A	200	20	22	50	-	38	59	80	-	-	3	2329
GN 950.1-GG-200-K20-D	200	20	22	50	M 10	38	59	80	80	25	3	2500
GN 950.1-GG-250-K24-A	250	24	26	56	-	44	66	102	-	-	5	4000
GN 950.1-GG-250-K24-D	250	24	26	56	M 12	44	66	102	101	32	5	4460